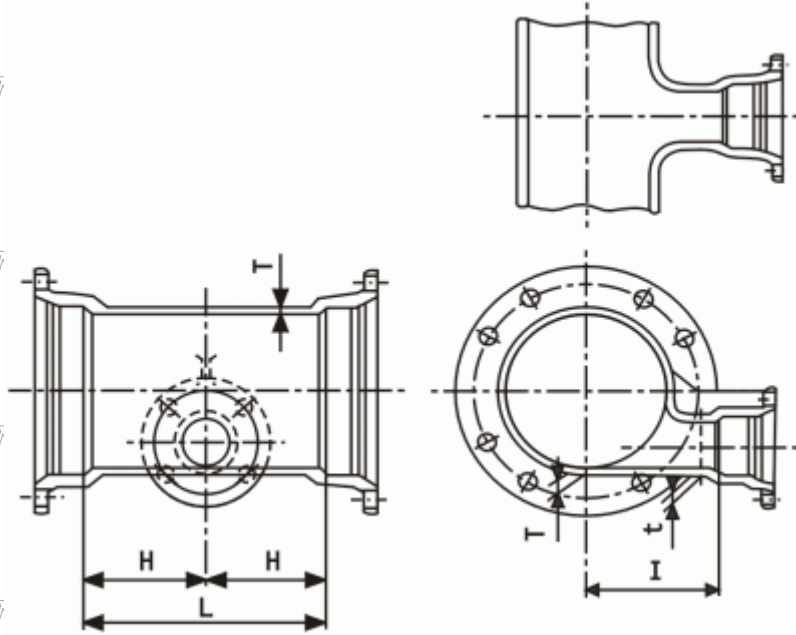




●Type K Blow-Off



Unit: mm

Nominal size		Thickness		Dimensions			Weight
D	d	T	t	H	I	L	(kg)
200	100	11.0	10	170	190	340	50.8
250	100	12.0	10	180	220	360	64.9
300	100	12.5	10	190	240	380	90.0
350	150	13.0	11	250	270	500	123.0
400	150	14.0	11	260	300	520	149.0
450	200	14.5	12	270	320	540	180.0
500	200	15.0	13	280	350	560	208.0
600	200	16.0	13	290	400	580	265.0
700	300	17.0	15	350	450	700	378.0
800	300	18.0	15	360	500	720	459.0
900	300	19.0	15	370	550	740	557.0
1000	400	20.0	16	440	600	880	735.0
1100	400	21.0	17	450	650	900	866.0
1200	400	22.0	18	470	700	940	1010.0
1350	400	24.0	20	490	780	980	1270.0
1500	400	26.0	22	510	850	1020	1560.0
1600	400	27.5	22	600	930	1200	1960.0
1650	400	28.0	22	610	950	1220	2110.0
1800	400	30.0	23	630	1030	1260	2520.0
2000	400	32.0	24	670	1130	1340	3180.0
2100	400	33.0	25	680	1180	1360	3510.0
2200	400	34.0	25	690	1240	1380	3870.0
2400	400	36.0	26	710	1350	1420	4600.0
2600	400	37.5	26	650	1400	1300	5180.0